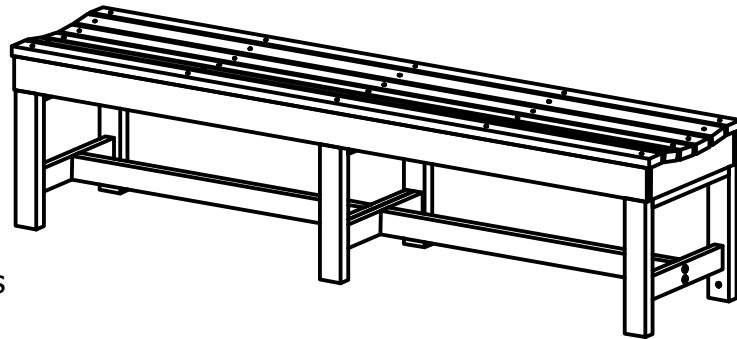
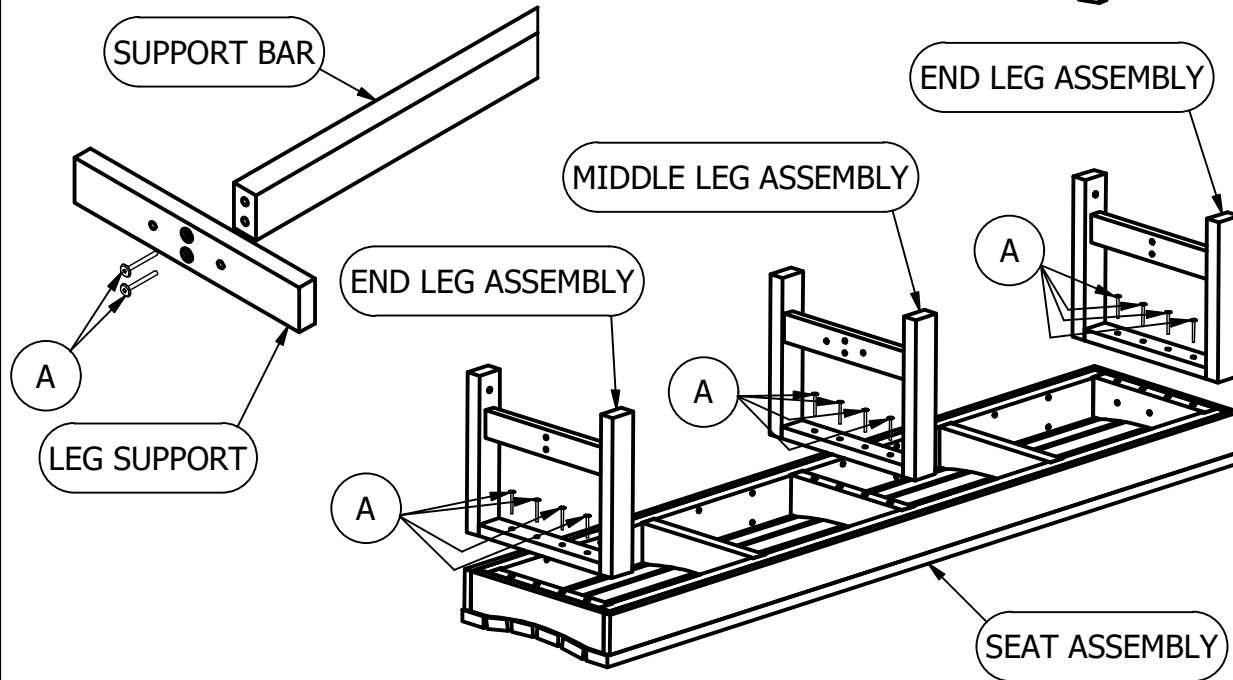


Sequoia Professional Weldon 6' Picnic Bench

Assembly Guide

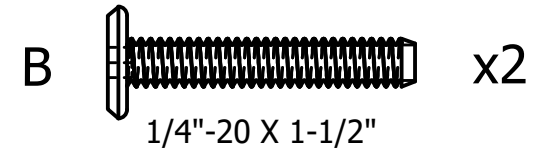
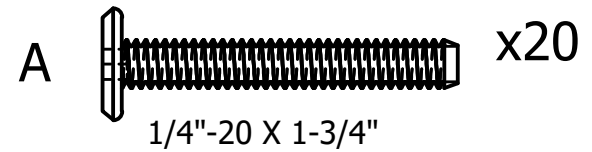


1) Attach (1) Support Bar to Leg Support using (2) "A" Bolts as shown



2) Attach Leg Assemblies to Seat Assembly using (12) "A" Bolts, Middle Leg Assembly Brace offset to left, as shown.

HARDWARE

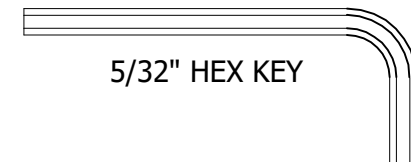


IMPORTANT!

DO NOT fully tighten the bolts until all bolts are started. Once all bolts are inserted, go back & tighten all the bolts.

Retain these instructions for future reference

INCLUDED TOOLS



5/32" HEX KEY

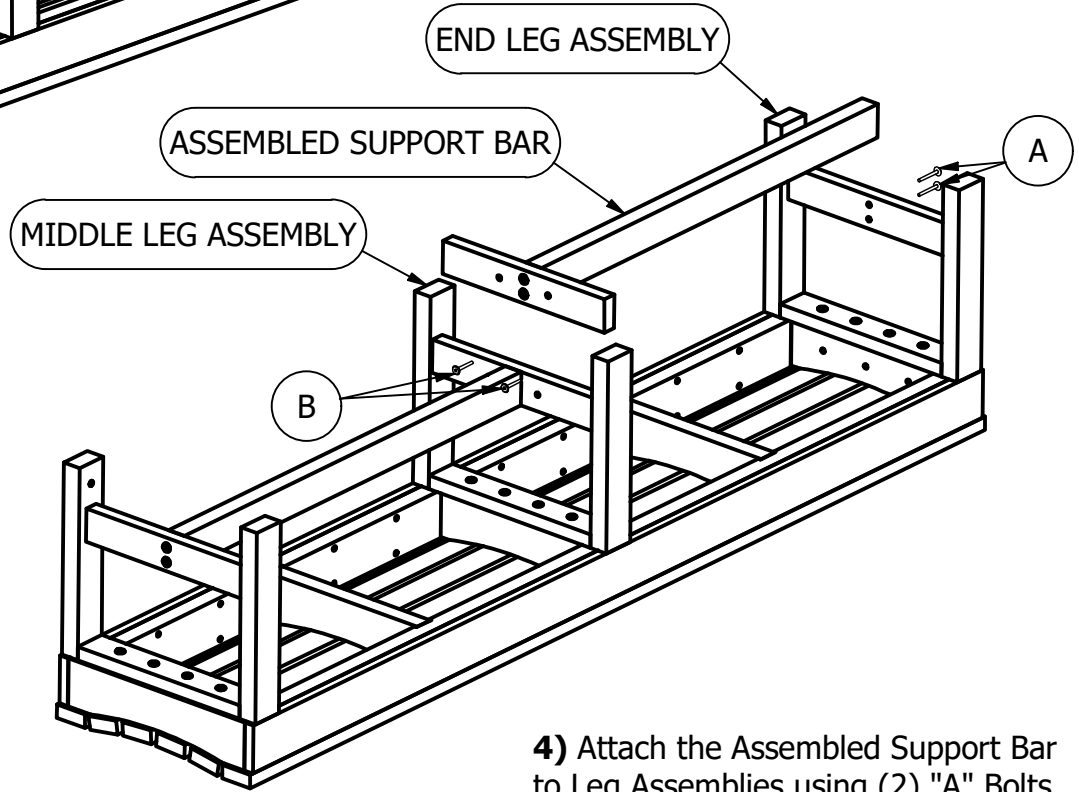
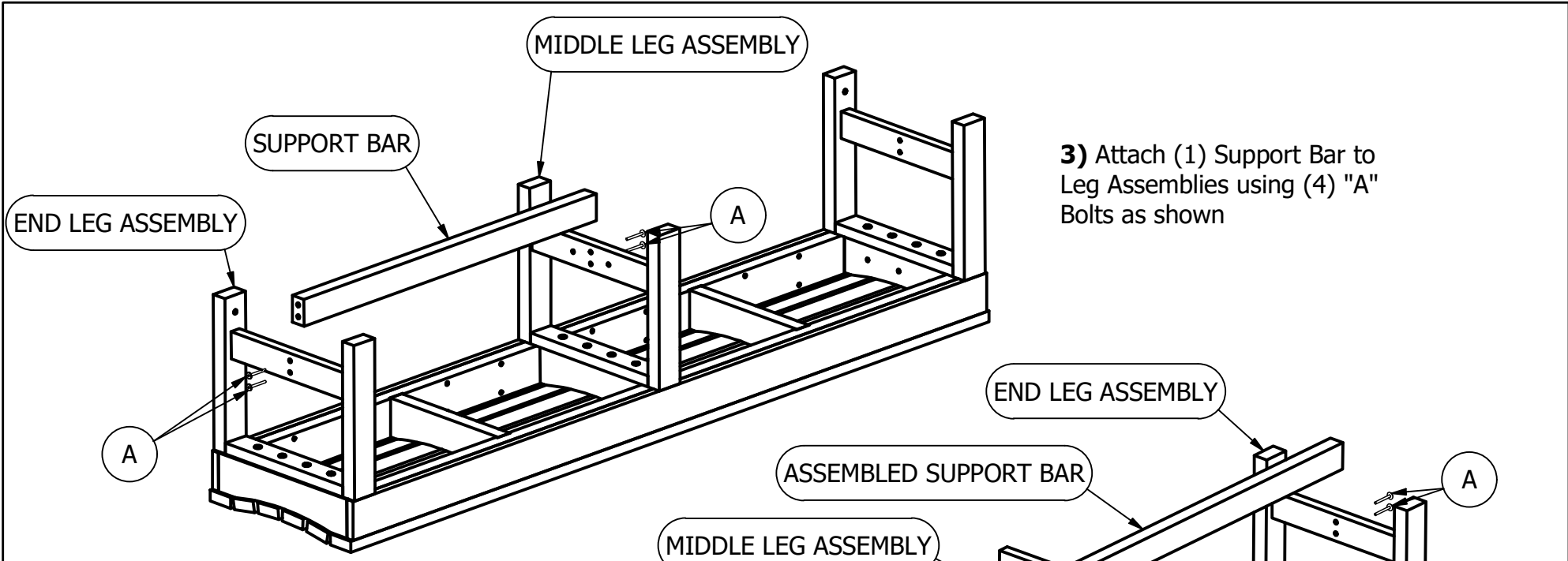


SEQUOIA
PROFESSIONAL
by highwood®

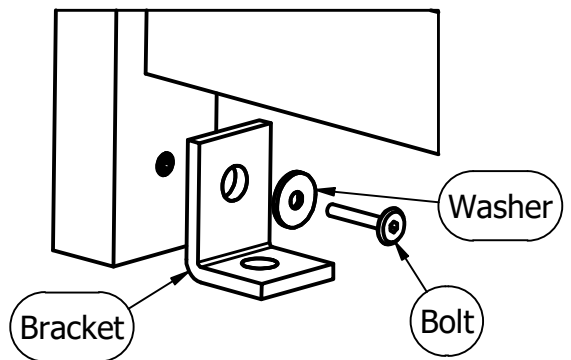
For information on Care and Cleaning or to register your SEQUOIA PROFESSIONAL product by highwood®, please visit www.highwood-usa.com.

CM-BENSQ61
03.06.19

PAGE 1 OF 2



Included Hardware for Optimal Surface Mounting - 4X



Note: Ground Anchors not included



**SEQUOIA
PROFESSIONAL**
by **highwood**[®]

For information on Care and Cleaning or to register your SEQUOIA PROFESSIONAL product by *highwood*[®], please visit www.highwood-usa.com.